



Ex 'nR' & Weatherproof Well Glass Lighting Fixture

● Technical Data : FCG/W/403-4

ENCLOSURE :

Ex 'nR' RESTRICTED BREATHING AS PER IS/IEC 60079-15:2005

PROTECTION :

IP-66 AS PER IS/IEC 60529:2001

AREA CLASSIFICATION :

ZONE -2

CERTIFICATION :

CIMFR/TC/P/H517

MATERIAL OF CONSTRUCTION :

DIE CAST ALUMINIUM ALLOY

RATING & TEMPERATURE CLASSIFICATION :

300 WATT GLS -T4

250 WATT HPMV -T3

250 WATT HPSV -T4

250W MLL -T4

250W MH -T3

TRANSPARENT PART :

BOROSILICATED HEAT RESISTANT, CLEAR DOME GLASS

LAMP HOLDER :

ENCLOSED BREAK PORCELAIN ES-40

WIRE GUARD :

M.S GALVANIZED & WHITE EPOXY PAINTED.

INTERNAL REFLECTOR :

MIRROR POLISHED

FINISH :

DARK ADMIRALTY GREY EPOXY POWDER COATED 632

HARDWARE :

STAINLESS STEEL

EARTHING :

1 No. INSIDE & 2 Nos. OUTSIDE

CABLE ENTRY :

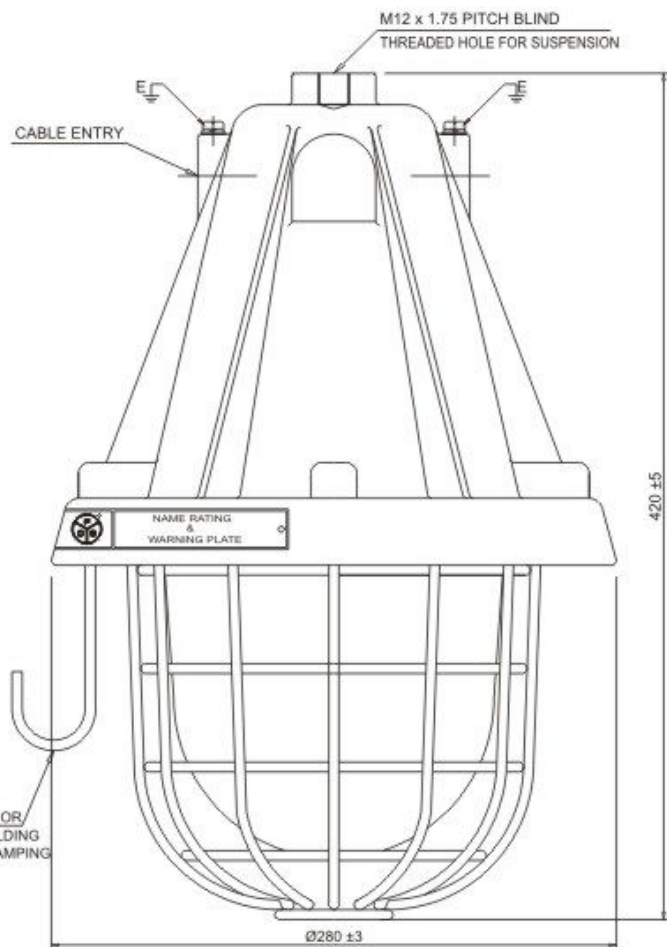
M20 x 2 Nos.

OPTIONAL ACCESSORIES AT EXTRA COST :

- 1) MOUNTING BRACKET
- 2) CABLE GLAND
- 3) EXTERNAL REFLECTOR
- 4) PAINT SHADE AS PER CLIENT REQUIREMENT.
- 5) LAMP

SPECIAL FEATURES :

- A) SUPERIOR POWDER COATED EPOXY FINISH
- B) NON FALLING TYPE EXTERNAL HARDWARE
- C) MIRROR POLISHED INTERNAL REFLECTOR



WIRING DIAGRAM FOR HPSV

WIRING DIAGRAM FOR HPMV

