



Flameproof & Weatherproof Limit Switch With Top Push Roller

● Technical Data : IJ 31110

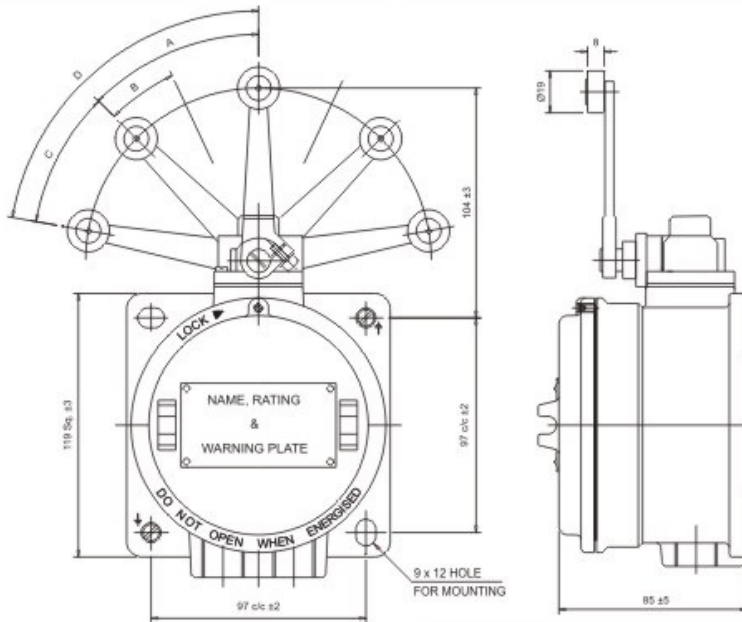
PROTECTION :
IP-65 AS PER IS/IEC 60529:2001

CERTIFICATION :
ERTL(E)/TES/F042/0015/02-05

COMPONENTS :
1) CONTACT ELEMENT 10A, 415V AC
2) ACTUATOR WITH (1NC + NO) CONTACT - 1 No

CABLE ENTRY :
M20 x O2 Nos.

NOTE :
1) AVAILABLE WITH 2NO + 2NC CONTACT
2) AVAILABLE FOR GAS Gr. IIC APPLICATION
3) PRESSURE DIE CAST ENCLOSURE



A = 45° - TRAVEL TO TRIP
B = 20° - TRAVEL TO RESET FROM TRIP POINT
C = 35° - OVER TRAVEL
D = 80° - TOTAL TRAVEL

