



SINCE 1974

Flameproof & Weatherproof Bulkhead Lighting Fixture

● Technical Data : LB 31... series

ENCLOSURE :

Ex-d, GAS Gr. IIA & IIB AS PER IS/IEC 60079-1:2007 & IS/IEC 60079-0:2004

PROTECTION :

IP-65 AS PER IS/IEC 60529:2001

AREA CLASSIFICATION :

ZONE -1 & 2

CERTIFICATION :

CMR/TC/P/H658

MATERIAL OF CONSTRUCTION :

DIE CAST ALUMINIUM ALLOY.

RATING & TEMPERATURE CLASSIFICATION :

AS PER TABLE

COMPONENTS :

- 1) CONTROL GEAR (BALLAST, CAPACITOR, IGNITER)
- 2) LAMP HOLDER E-27 (BI-PIN TYPE FOR CFL LAMP)
- 3) 2 WAY TERMINAL BLOCK

TRANSPARENT PART :

HEAT RESISTANT & TOUGHENED CLEAR FLAT GLASS

INTERNAL REFLECTOR :

MIRROR POLISHED

FINISH :

DARK ADMIRALTY GREY EPOXY POWDER COATED 632

EARTHING :

1 No. INSIDE & 2 Nos. OUTSIDE

CABLE ENTRY :

M20 x 2 Nos.

OPTIONAL AT EXTRA COST :

- 1) CABLE GLAND & STOPPER
- 2) CABLE ENTRY THREADS OTHER THAN M20

SPECIAL FEATURES :

- A) SUPERIOR POWDER COATED EPOXY FINISH
- B) MIRROR POLISHED INTERNAL REFLECTOR
- C) EASY TO REPLACE THE LAMP

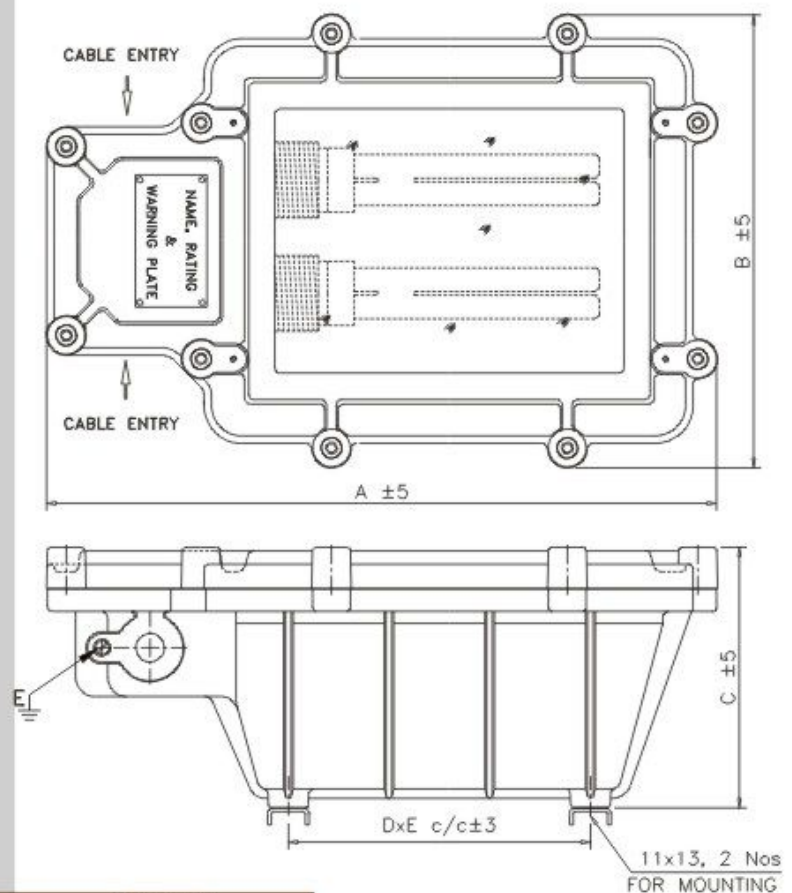


FIGURE TYPE No.	LAMP RATING AT 250V AC / DC	FIXTURE TYPE	SURFACE TEMP. CLASS	DIMENSIONS				
				A ± 5	B ± 5	C ± 5	D ± 3	E ± 3
LB 31226	2 x 26W CFL	INTEGRAL	T6	355	240	145	160	160
LB 31223	2 x 23W CFL	SELF BALLAST	T6					
LB 31160	160W MLL	NON INTEGRAL	T4					
LB 31200	200W GLS	NON INTEGRAL	T3					
LB 31080	80W HPMV	INTEGRAL	T3	450	240	145	255	160
LB 31125	125W HPMV	INTEGRAL	T3					
LB 31070M	70W MH	INTEGRAL	T3					
LB 31070S	125W HPSV	INTEGRAL	T3					