



SINCE 1974

# Flameproof & Weatherproof Bulkhead Fixture

## ● Technical Data : LB 31201

### ENCLOSURE :

Ex-d, GAS Gr. IIA & IIB AS PER IS/IEC 60079-1:2007 & IS/IEC 60079-0:2004

### PROTECTION :

IP-65 AS PER IS/IEC 60529:2001

### AREA CLASSIFICATION :

ZONE-1 & 2

### CERTIFICATION :

ERTLIE/TES/FO42/0016/02-05

### MATERIAL OF CONSTRUCTION :

DIE CAST ALUMINIUM ALLOY.

### RATING & TEMP. CLASSIFICATION :

AS PER TABLE

### TRANSPARENT PART :

HEAT RESISTANT & TOUGHENED CLEAR FLAT GLASS

### INTERNAL REFLECTOR :

MIRROR POLISHED

### FINISH :

DARK ADMIRALTY GREY EPOXY POWDER COATED 632

### HARDWARE :

STAINLESS STEEL

### EARTHING :

1 No. INSIDE & 2 Nos. OUTSIDE

### CABLE ENTRY :

M20 x 2 Nos..

### OPTIONAL ACCESSORIES AT EXTRA COST :

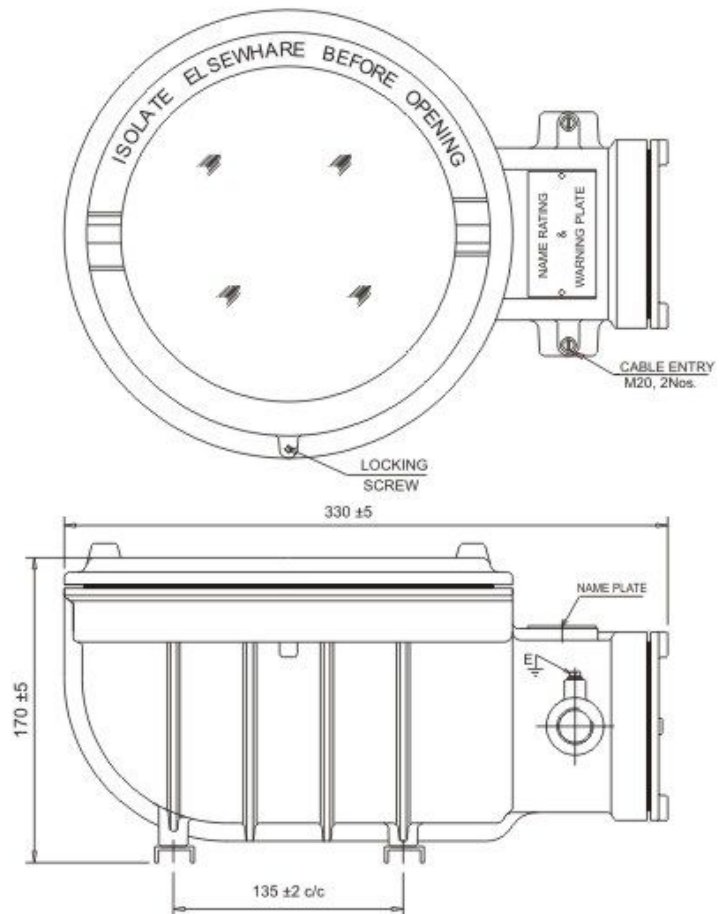
- 1) CABLE GLAND & STOPPING PLUG
- 2) WIRE GUARD
- 3) PAINT SHADE AS PER CLIENT REQUIREMENT.
- 4) LAMP

### SPECIAL FEATURES :

- A) SUPERIOR POWDER COATED EPOXY FINISH
- B) MIRROR POLISHED INTERNAL REFLECTOR
- C) EASY TO REPLACE THE LAMP

### NOTE:

THIS LIGHT FIXTURE IS ALSO AVAILABLE FOR GAS Gr. IIC.



Sr. No.	RATING	TEMP. CLASS	HOLDER	BALLAST
1	80W HPMV	T5	E-27	N.A.
2	125W HPMV	T4	E-27	N.A.
3	160W MLL	T3	E-27	N.A.
4	200W GLS	T4	E-27	N.A.
5	100W GLS	T5	E-27	N.A.
6	70W HPSV	T6	E-27	N.A.
7	70W METAL HALIDE	T5	E-27	N.A.
8	150W METAL HALIDE	T3	E-27	N.A.
9	2x23W CFL	T6	E-27	SELF BALLAST
10	2x26W CFL	T6	BI-PIN TYPE	2x26W