



Flameproof & Weatherproof Bulkhead Fixture

● Technical Data : LB 31226

ENCLOSURE :

Ex-d, IIA & IIB AS PER IS/IEC 60079-1:2007

PROTECTION :

IP-65 AS PER IS/IEC 60529:2001

AREA CLASSIFICATION :

ZONE -1 & 2

CERTIFICATION :

ERTL(E)/TES/FO42/0088/07-04

MATERIAL OF CONSTRUCTION :

CAST ALUMINIUM ALLOY.

RATING & TEMPERATURE CLASSIFICATION :

2 x 26 Watt CFL - T6 (WITH BUILDING CONTROL GEAR)

TRANSPARENT PART :

HEAT RESISTANT & TOUGHENED CLEAR FLAT GLASS

INTERNAL REFLECTOR :

ALUMINIUM ANODISED

FINISH :

DARK ADMIRALTY GREY EPOXY POWDER
COATED 632 AS PER IS:5.

EARTHING :

1 No. INSIDE & 2 Nos. OUTSIDE

CABLE ENTRY :

M20 x 2 Nos.

OPTIONAL AT EXTRA COST :

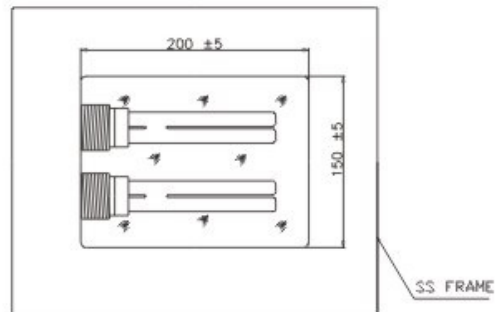
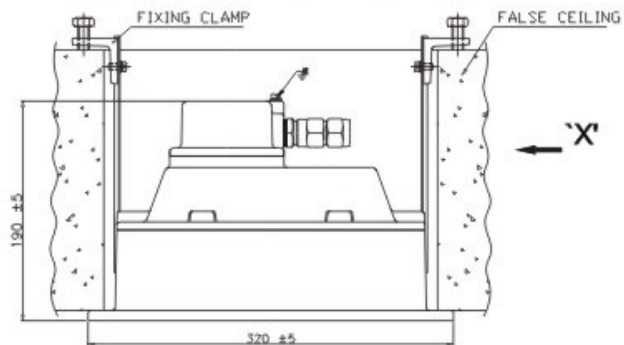
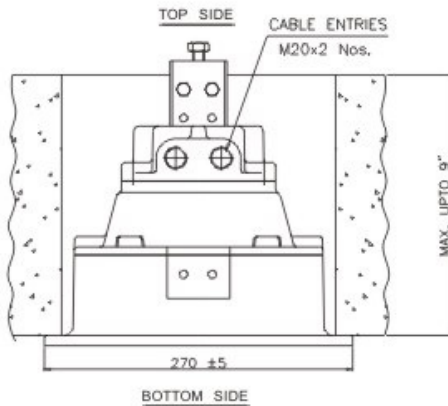
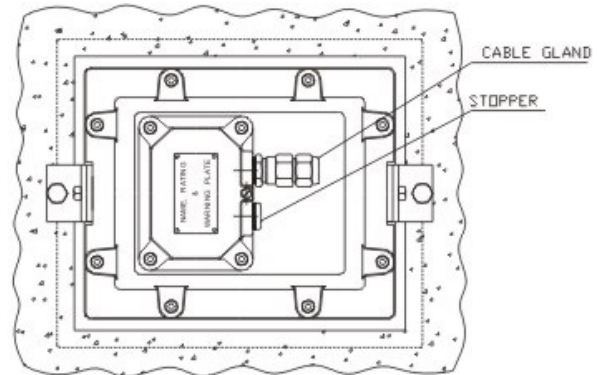
- 1) CABLE GLAND & STOPPER
- 2) PAINT SHADE AS PER CLINT REQUIREMENT
- 3) S.S. FRAME FOR FRONT SIDE

NOTE :

- 1) LAMP REPLACEMENT ARRANGEMENT IS FROM THE TOP SIDE
- 2) S.S. FRAME FOR FRONT SIDE



TOP OPENABLE



VIEW 'X'

CUT OUT DIMENSION
290 x 240 ± 5 mm

CLAMPING ARRANGEMENT
6° TO 9° ADJUSTABLE BRACKET