



SINCE 1974

Flameproof & Weatherproof Control Gear Box

● Technical Data : LC 51125

ENCLOSURE :

Ex-d, GAS Gr. IIA & IIB AS PER IS/IEC 60079-1:2007 & IS/IEC 60079-0:2004

PROTECTION :

IP-65, AS PER IS/IEC 60529:2001

AREA CLASSIFICATION :

Zone. 1 & 2

CERTIFICATION :

ERTL(E)/TES/FO42/0082/07-04

MATERIAL OF CONSTRUCTION :

PRESSURE DIE CAST ALUMINIUM ALLOY

RATING & TEMP. CLASSIFICATION :

80/125 WATT HPMV - T6

70 WATT METAL HALIDE - T6

70 WATT HPSV - T6

COMPONENT :

GEAR PLATE WITH FOLLOWING COMPONENTS :

A) COPPER WOUND BALLAST

B) POWER FACTOR IMPROVEMENT CAPACITOR

C) HRC FUSE

D) TERMINALS, RAIL MOUNTED CLIPON TYPE

E) IGNITOR FOR HPSV/MH LAMP

FINISH :

DARK ADMIRALTY GREY EPOXY POWDER COATED 632

HARDWARE :

STAINLESS STEEL

EARTHING :

1 No. INSIDE & 2 Nos. OUTSIDE

MOUNTING :

IN BUILT HOLES FOR MOUNTING

CABLE ENTRY :

M20 x 3 Nos.

OPTIONAL ACCESSORIES AT EXTRA COST :

1) CABLE GLAND

2) STOPPING PLUG

3) PAINT SHADE AS PER CLIENT REQUIREMENTS

SPECIAL FEATURES :

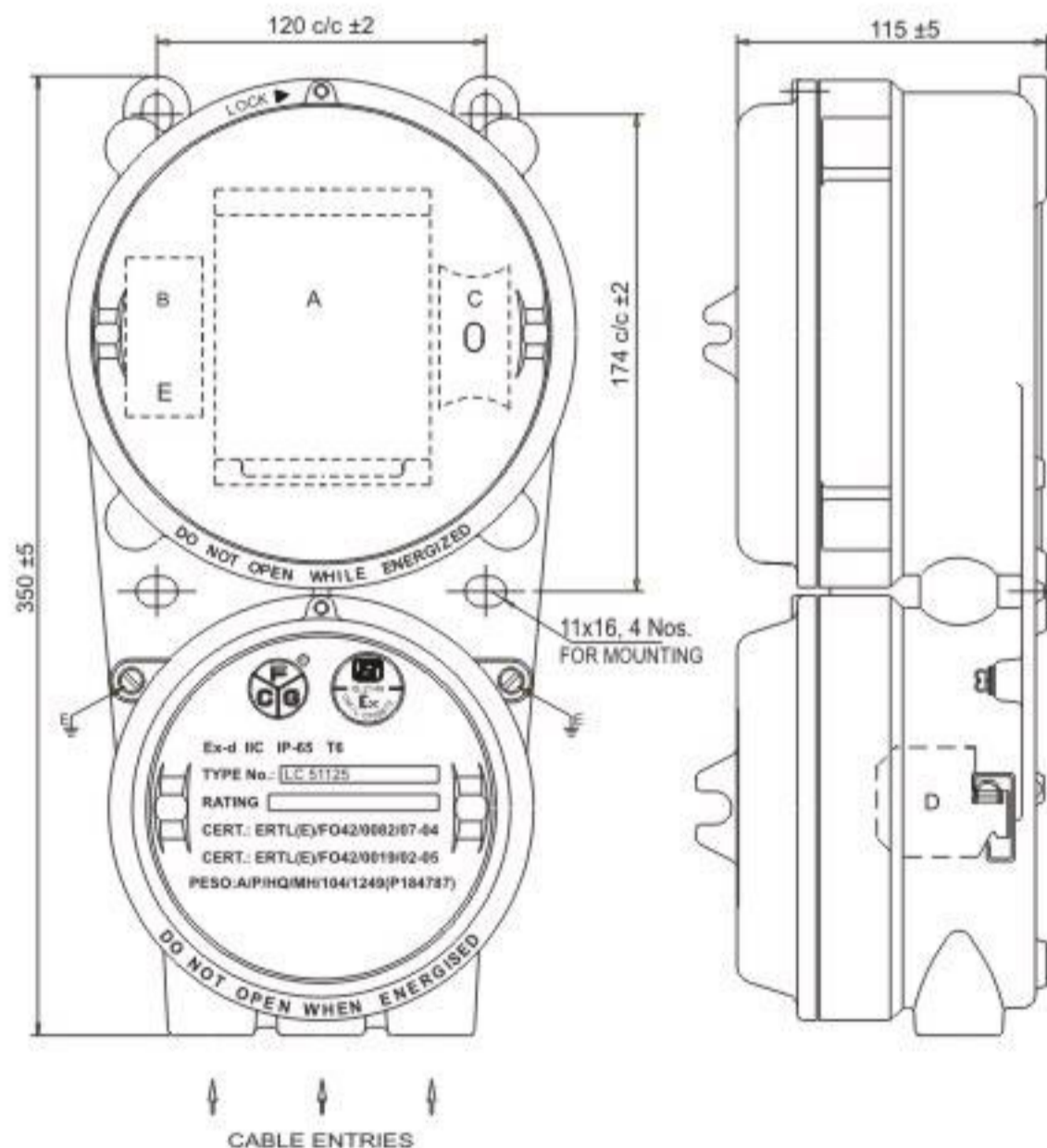
A) SUPERIOR POWDER COATED EPOXY FINISH

B) SEPARATE TERMINAL BOX

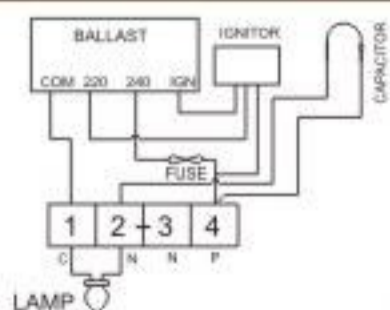
C) PRESSURE DIE CAST ENCLOSURE

NOTE:

THIS CONTROL GEAR BOX IS ALSO AVAILABLE FOR GAS Gr. IIC.



WIRING DIAGRAM FOR HPSV/MH LAMP



WIRING DIAGRAM FOR HPMV LAMP

