



SINCE 1974

Flameproof & Weatherproof Fluorescent Tube Light Fixture

● Technical Data : LT-31... Series

ENCLOSURE :

Ex-d, GAS Gr. IIA & IIB AS PER IS/IEC 60079-1:2007 & IS/IEC 60079-0:2004

PROTECTION :

IP-65 AS PER IS/IEC 60529:2001

CERTIFICATION :

ERTL(E)/TES/FO42/0004/11-04

AREA CLASSIFICATION :

ZONE-1 & 2

MATERIAL OF CONSTRUCTION :

PRESSURE DIE CAST ALUMINIUM ALLOY

RATING & TEMP. CLASSIFICATION :

AS PER TABLE

TRANSPARENT PART :

HEAT RESISTANT & BOROSILICATED CLEAR TUBULAR GLASS

HOLDER :

BI-PIN TYPE

FINISH :

DARK ADMIRALTY GREY EPOXY POWDER COATED 632

HARDWARE :

STAINLESS STEEL

EARTHING :

1 No. INSIDE & 2 Nos. OUTSIDE

CABLE ENTRY :

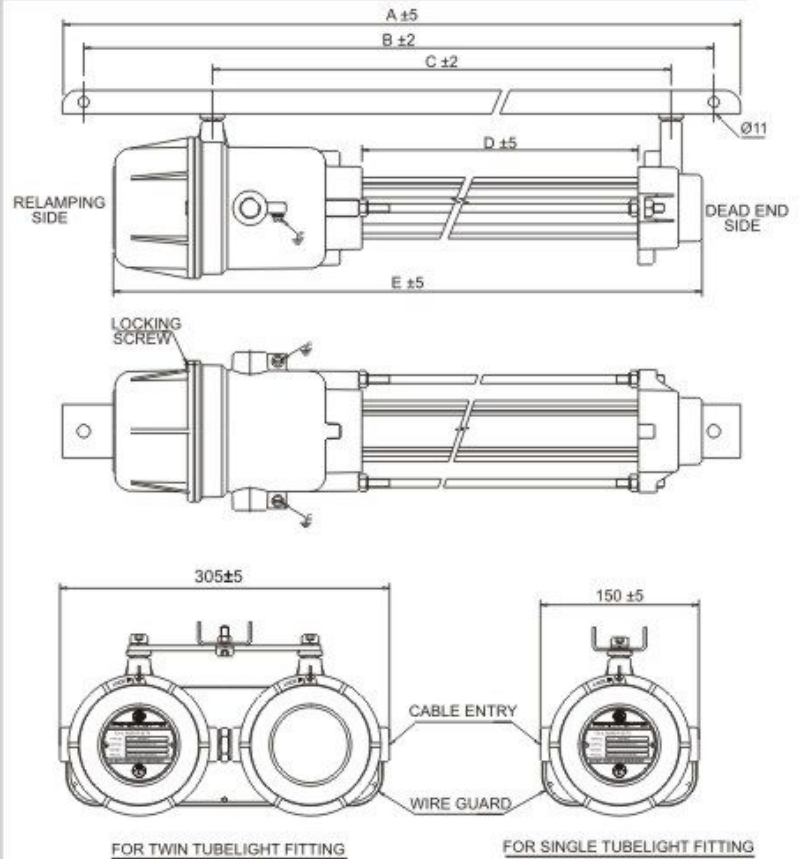
M20 x 2 Nos.

OPTIONAL ACCESSORIES AT EXTRA COST:

- 1) EXTERNAL REFLECTOR
- 2) WIRE GUARD
- 3) HINGE ARRANGEMENT.
- 4) PAINT SHADE AS PER CLIENT REQUIREMENTS.
- 5) CABLE GLAND & STOPPING PLUG
- 6) TUBE LAMP
- 7) WE CAN OFFER LED TUBE LIGHT FIXTURE

NOTE:

THIS LIGHT FIXTURE IS ALSO AVAILABLE FOR GAS Gr. IIC.



FITTING TYPE No.	TUBES/ LAMPS	TEMP. CLASS	DIMENSION (mm)				
			A ±5	B ±2	C ±2	D ±5	E ±5
LT 31120	1x18/20W	T6	930	880	705	550	840
LT 31220	2x18/20W	T6	930	880	705	550	840
LT 31140	1x36/40W	T6	1525	1480	1320	1150	1440
LT 31240	2x36/40W	T6	1525	1480	1320	1150	1440
LT 31165	1x58/65W	T6	1830	1785	1620	1450	1740
LT 31265	2x58/65W	T6	1830	1785	1620	1450	1740
LT 31136	1x36W CFL	T6	750	710	570	400	690
LT 31236	2x36W CFL	T6	750	710	570	400	690
LT 31226	2x18/26W CFL	T6	540	510	360	225	465
LT 31128	1x28W T5	T5	1525	1480	1320	1150	1440
LT 31228	2x28W T5	T5	1525	1480	1320	1150	1440