



SINCE 1974

# FLP/WP Well Glass Lighting Fixture with Integral Control Gear

## ● Technical Data : LW 31250

### ENCLOSURE :

Ex-d, GAS Gr. IIA & IIB AS PER IS/IEC 60079-1:2007 & IS/IEC 60079-0:2004

### PROTECTION :

IP-65 AS PER IS/IEC 60529:2001

### AREA CLASSIFICATION :

ZONE-1 & 2

### CERTIFICATION :

ERTL(E)/TES/F044/0091/09-08

### MATERIAL OF CONSTRUCTION :

DIE CAST ALUMINIUM ALLOY.

### RATING & TEMPERATURE CLASSIFICATION :

AS PER TABLE

### COMPONENTS :

GEAR PLATE WITH FOLLOWING COMPONENTS

- A) COPPER WOUND BALLAST
- B) POWER FACTOR IMPROVEMENT CAPACITOR
- C) VIBRATIONPROOF 2 WAY TERMINAL BLOCK
- D) IGNITOR (ONLY FOR HPSV & MH LAMP)

### TRANSPARENT PART :

HEAT, RESISTANT & TOUGHENED CLEAR DOME GLASS

### LAMP HOLDER :

AS PER TABLE

### INTERNAL REFLECTOR :

MIRROR POLISHED

### WIRE GUARD :

M.S. GALVANIZED & WHITE EPOXY PAINTED.

### FINISH :

DARK ADMIRALTY GREY EPOXY POWDER COATED 632

### HARDWARE :

STAINLESS STEEL

### EARTHING :

1 No. INSIDE & 2 Nos. OUTSIDE

### CABLE ENTRY :

M20 x 2 Nos.

### OPTIONAL ACCESSORIES AT EXTRA COST :

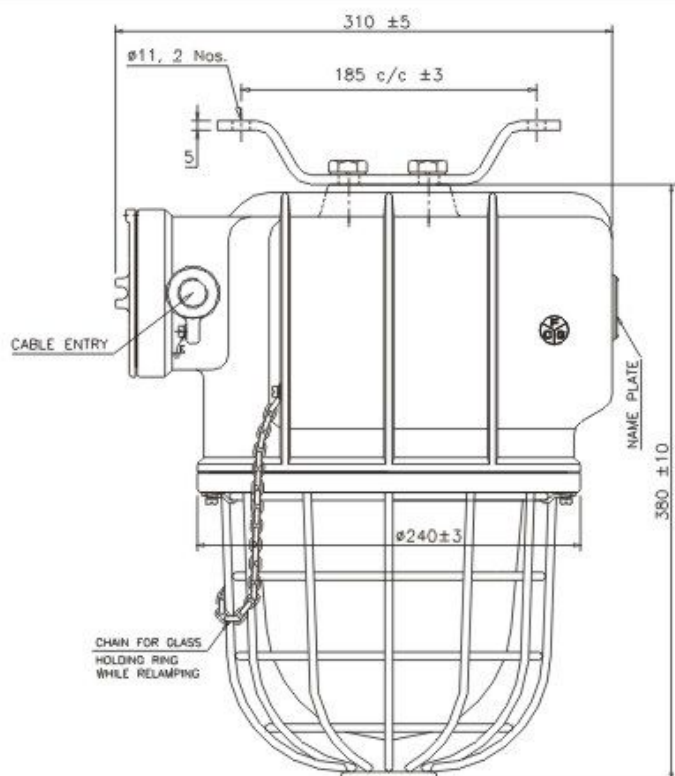
- 1) MOUNTING BRACKET
- 2) CABLE GLAND & STOPPING PLUG
- 3) EXTERNAL REFLECTOR
- 4) PAINT SHADE AS PER CLIENT REQUIREMENT.
- 5) LAMP
- 6) STAINLESS STEEL WIRE GUARD

### SPECIAL FEATURES :

- A) SUPERIOR POWDER COATED EPOXY FINISH
- B) NON FALLING TYPE EXTERNAL HARDWARE
- C) MIRROR POLISHED INTERNAL REFLECTOR
- D) PRESSURE DIE CAST ENCLOSURE

### NOTE:

THIS LIGHT FIXTURE IS ALSO AVAILABLE FOR GAS Gr. IIC.



Sr. No.	RATING	TEMP. CLASS	HOLDER	BALLAST	CAPACITOR
1	250W HPMV	T4	E-40	250W	12 MFD
2	250W MLL	T4	E-40	-	-
3	230V, 75VA NEON SPIRAL LAMP	T6	-	-	-
4	300W GLS	T4	E-40	-	-
5	150W HPSV	T5	E-40	150W	-
6	150W METAL HALIDE	T4	E-40	150W	12 MFD
7	2 x 32W CFL	T6	E-27	SELF BALLAST	-