



# FLP/WP Well Glass Lighting Fixture with Integral Control Gear

## ● Technical Data : LW 51125

### ENCLOSURE :

Ex-d, GAS Gr. IIA & IIB AS PER IS/IEC 60079-1:2007 & IS/IEC 60079-0:2004

### PROTECTION :

IP-65 AS PER IS/IEC 60529:2001

### AREA CLASSIFICATION :

ZONE 1 & 2

### CERTIFICATION :

ERTL(E)/TES/FO42/0084/07-04

### MATERIAL OF CONSTRUCTION :

PRESSURE DIE CAST ALUMINIUM ALLOY

### RATING & TEMPERATURE CLASSIFICATION :

AS PER TABLE

### TRANSPARENT PART :

HEAT, RESISTANT & TOUGHENED CLEAR DOME GLASS

### LAMP HOLDER :

AS PER TABLE

### INTERNAL REFLECTOR :

MIRROR POLISHED

### WIRE GUARD :

M.S GALVANIZED & WHITE EPOXY PAINTED.

### FINISH :

DARK ADMIRALTY GREY EPOXY POWDER COATED 632

### HARDWARE :

STAINLESS STEEL

### EARTHING :

1 No. INSIDE & 2 Nos. OUTSIDE

### CABLE ENTRY :

M20 x 2 Nos.

### OPTIONAL ACCESSORIES AT EXTRA COST :

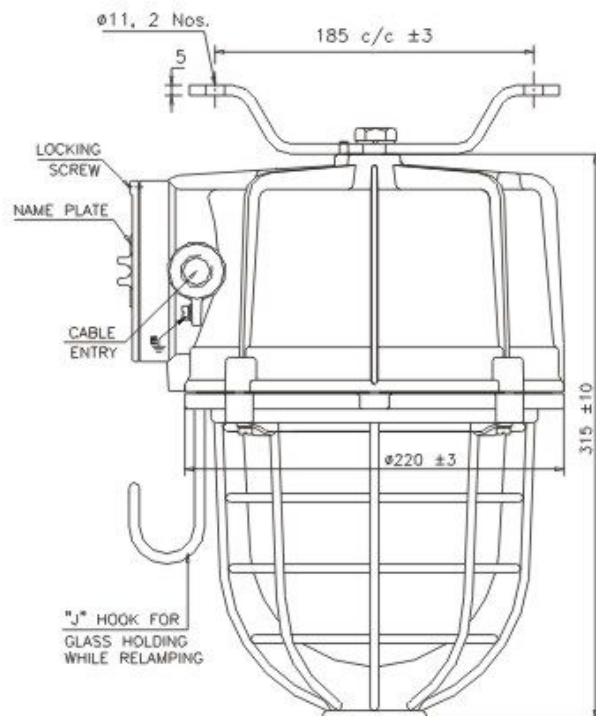
- 1) MOUNTING BRACKET
- 2) CABLE GLAND & STOPPING PLUG
- 3) EXTERNAL REFLECTOR
- 4) PAINT SHADE AS PER CLIENT REQUIREMENT.
- 5) LAMP
- 6) S.S. WIRE GUARD

### SPECIAL FEATURES :

- A) SUPERIOR POWDER COATED EPOXY FINISH
- B) NON FALLING TYPE EXTERNAL HARDWARE
- C) MIRROR POLISHED INTERNAL REFLECTOR
- D) PRESSURE DIE CAST ENCLOSURE

### NOTE:

THIS LIGHT FIXTURE IS ALSO AVAILABLE FOR GAS Gr. IIC.



Sr. No.	RATING	TEMP. CLASS	HOLDER	BALLAST	CAPACITOR
1	125W HPMV	T4	E-27	125W	10 MFD
2	160W MILL	T5	E-27	N.A.	N.A.
3	200W GLS	T5	E-27	N.A.	N.A.
4	55W ROTATING BEACON LAMP	T6	-	N.A.	N.A.
5	70W HPSV	T5	E-27	70W	N.A.
6	2x26W CFL	T6	G-24	2x26W	N.A.
7	70W METAL HALIDE	T6	E-27	70W	10 MFD
8	150W METAL HALIDE (NON INTEGRALY)	T4	E-27	-	-